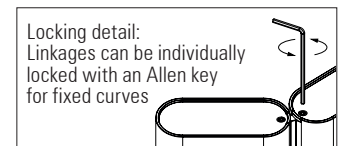
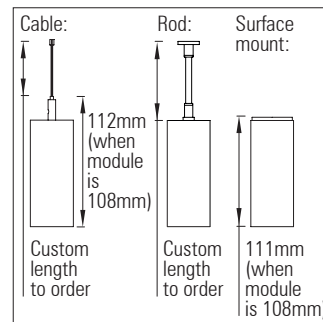
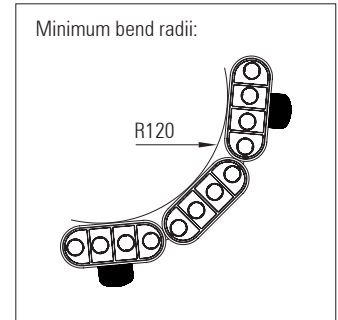
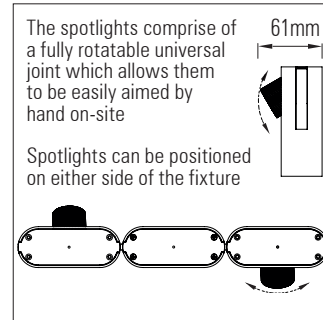
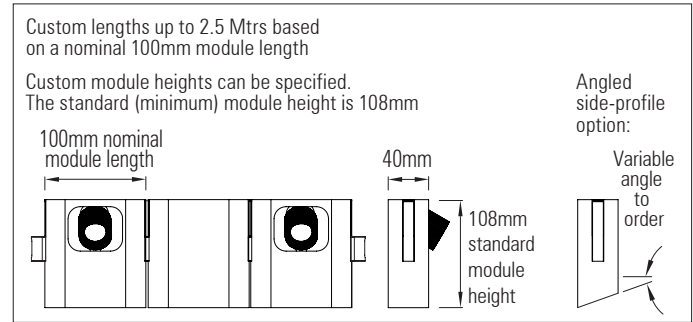


## Centura 40 IP20

Flexible modular LED linear pendant lighting system with integral aimable spotlights  
 Down light - 2 or 4 x high power LEDs with lenses per module  
 Accent light - 1 x 3 Watt Micro Spotlight with lensed LED per every other module



Down light:  
Up to 5,000 Lumens per Mtr

Side accent light:  
Up to 399 Lumens per spotlight

**Down light - 2 or 4 x high power LEDs with lenses per module**  
**Accent light - 1 x 3W Micro Spotlight with lensed LED (every other module)**

### Product description:

Centura has an articulated linkage-joint system between modules allowing for flexibility along the major axis. This innovative modular design offers the flexibility to follow curved surfaces, encircle columns and domes, and to make irregular shaped pendants, all whilst offering excellent lighting control and uniformity. This versatility offers the ability for use in a wide range of application areas including architectural, hospitality, leisure and retail

Down light - 2 or 4 x Cree XPE, XPG or XQE LEDs or Osram Oslon LEDs with Ledil Tina2 or Heidi lenses per module

Accent light - 1 x fully rotatable 3 Watt spotlight comprising of a Cree XP-E, XB-D or XQ-E LED with Ledil Heidi or Emily lens (per every other module)

30 Volt - 48 Volt DC supply depending on application

Integral LV constant current drivers

Dimming options available: 1 - 10V, DMX and DALI

Various LED colour temperature and CRI options available

Decorative anti-glare louvred snoots available with custom powder coat or anodized finishes to order. The interior louvre finish can be different from the outer body finish

Body - Satin black, satin white or any RAL powder coat or anodized finish

Louvre - Black (low glare) or any RAL powder coat or anodized finish

Custom lengths based on a 100 mm module up to 2.5 Mtrs

Rod or cable suspension options. Custom solutions are also available

\* RGB, RGBW, RGBA and Dynamic-white options do not use a colour mixing lens

LED / lens matrix	CREE XP-E		CREE XP-G	
	Tina 2	Heidi	Tina 2	Heidi
Diffused spot (D)	12 °	9 °	17 °	12 °
Real spot (RS)	11 °	8 °	15 °	9 °
Medium (M)	31 °	28 °	30 °	28 °
Wide (W)	50 °	32 °	57 °	31 °
Wide (WW)	55 °	44 °	58 °	44 °
Wide (WWW)	57 °	N/A	60 °	N/A
Elliptical (O)	32+14 °	48+10 °	35+16 °	47+14 °

Product Code	No. of LEDs per mtr.	IP	Length (mm)	LED Type	CRI	Colour Temp. (K)	Optics	Mounting Type	Cut angle(°)	Finish
RAD CENTURA 40 FLEXIBLE DOWN & ACCENT IP20	Down light: 4 x LEDs per module: 25mm pitch 2 x LEDs per module: 50mm pitch	20	100mm to 2,500mm  Available in 100mm increments	Down light: Cree XP-E, XP-G, XQ-E or Osram Oslon	Down light: Cree: 80, 90 Osram: 95	27=2,700k 30=3,000k 35=3,500k 40=4,000k 45=4,500k 50=5,000k * RGB * RGBW * RGBA * Dynamic white	(See LED / lens matrix)	Steel Cable	0° - 75°  Available in 5 degree increments	Body: Any powder coat or anodized finish  Louvre: Any powder coat or anodized finish
	Accent light: 1 x spotlight per every other module: 200mm pitch			Accent light: Cree XP-E, XP-G, XQ-E	Accent light: Cree: 80, 90		Down light: Ledil Tina2 or Heidi: N, M, W, E,  Accent light: Ledil Emily or Heidi: N, M, W, E,	Fixed rod  Surface mount		